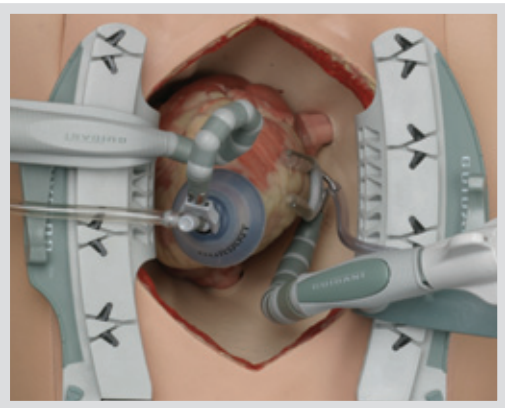


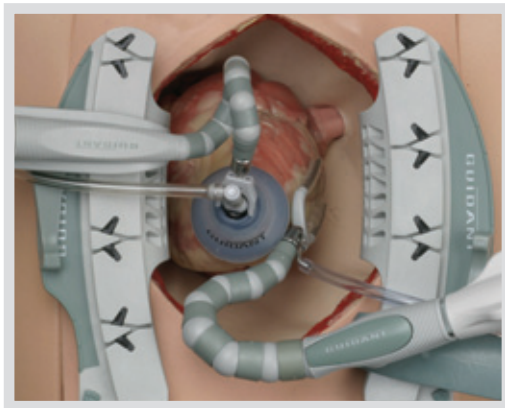
**ACROBAT SUV OFF-PUMP SYSTEM
WITH XPOSE 4 ACCESS DEVICE
FOR BEATING HEART SURGERY**

CARDIOVASCULAR

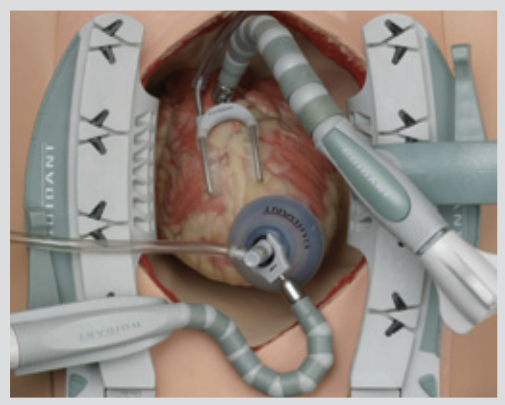
POSITIONING REFERENCE GUIDE



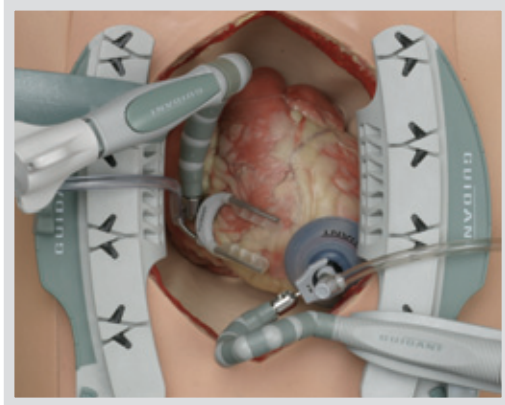
Obtuse Marginal Branch "Toes-Up"



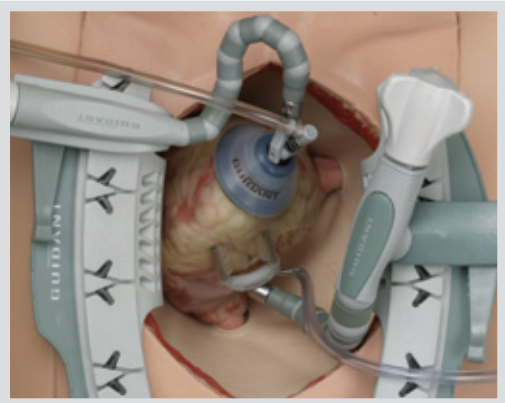
Obtuse Marginal Branch "Toes-Down"



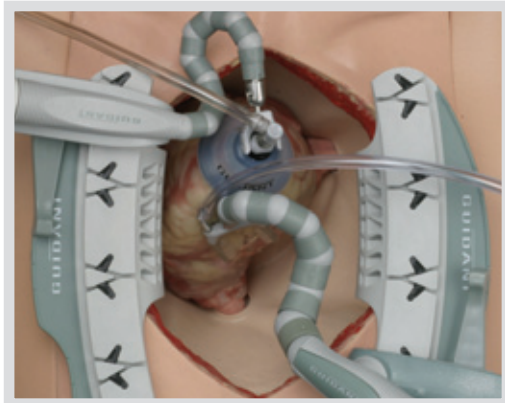
Left Anterior Descending Artery



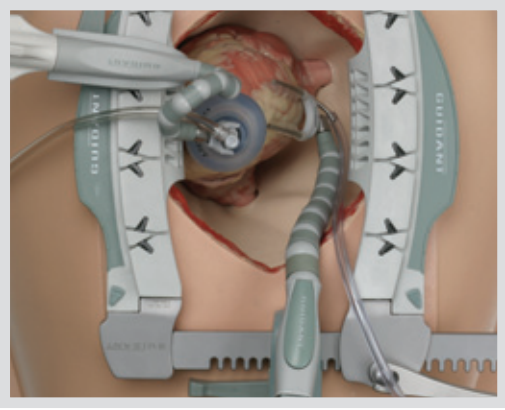
Right Coronary Artery



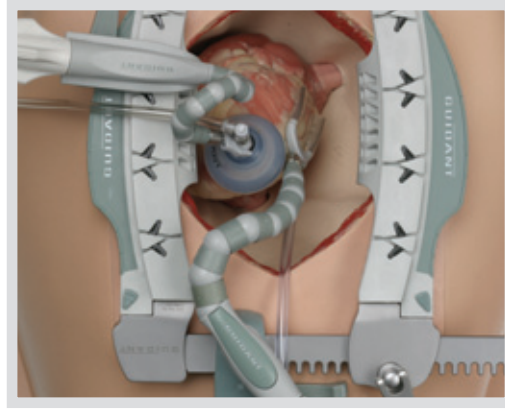
Posterior Descending Artery "Toes-Up"



Posterior Descending Artery "Toes-Down"



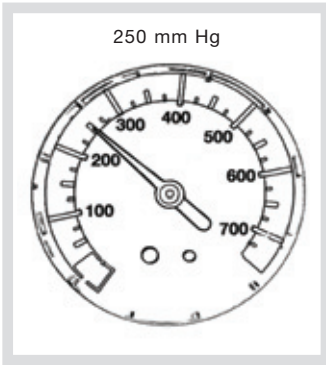
Obtuse Marginal Branch "Toes-Up"



Obtuse Marginal Branch "Toes-Down"

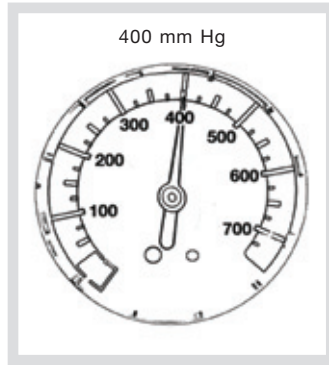
ACROBAT SUV Vacuum Off-Pump System Setup:

See Instructions For Use for additional details



250 mm Hg

XPOSE Access Device



400 mm Hg

ACROBAT Vacuum Stabilizer

